

APP CRS	Rwy ldg	5234
185°	TDZE	62
	Apt Elev	62

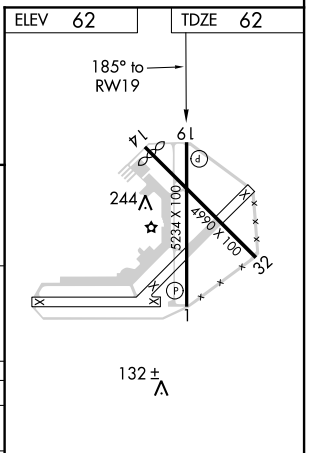
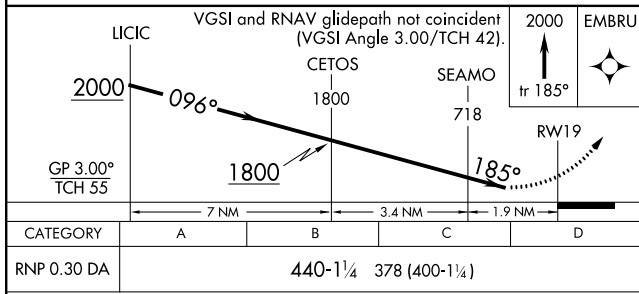
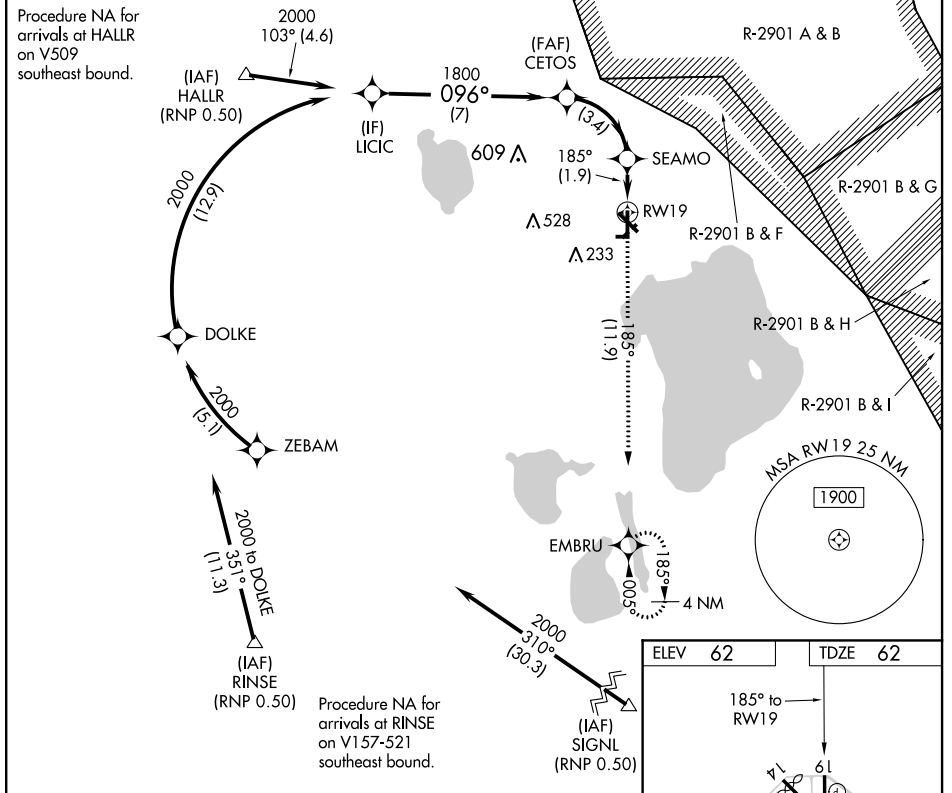
RNAV (RNP) RWY 19

SEBRING RGNL (SEF)

▽ For uncompensated Baro-VNAV systems, procedure NA below -1.5°C (5°F) or above 54°C (130°F). GPS and RF required. Night landing: Rwy 14, 32 NA.

△ NA MISSED APPROACH: Climb to 2000 on track 185° to EMBRU and hold.

AWOS-3 119.475	MIAMI CENTER 127.2 317.75	UNICOM 122.7 (CTAF)
--------------------------	-------------------------------------	-------------------------------



CATEGORY	A	B	C	D
RNP 0.30 DA	440-1¼		378 (400-1¼)	

AUTHORIZATION REQUIRED

MIRL Rwy 1-19
REIL Rwy 1 and 19

SE-3, 20 AUG 2015 to 17 SEP 2015

SE-3, 20 AUG 2015 to 17 SEP 2015